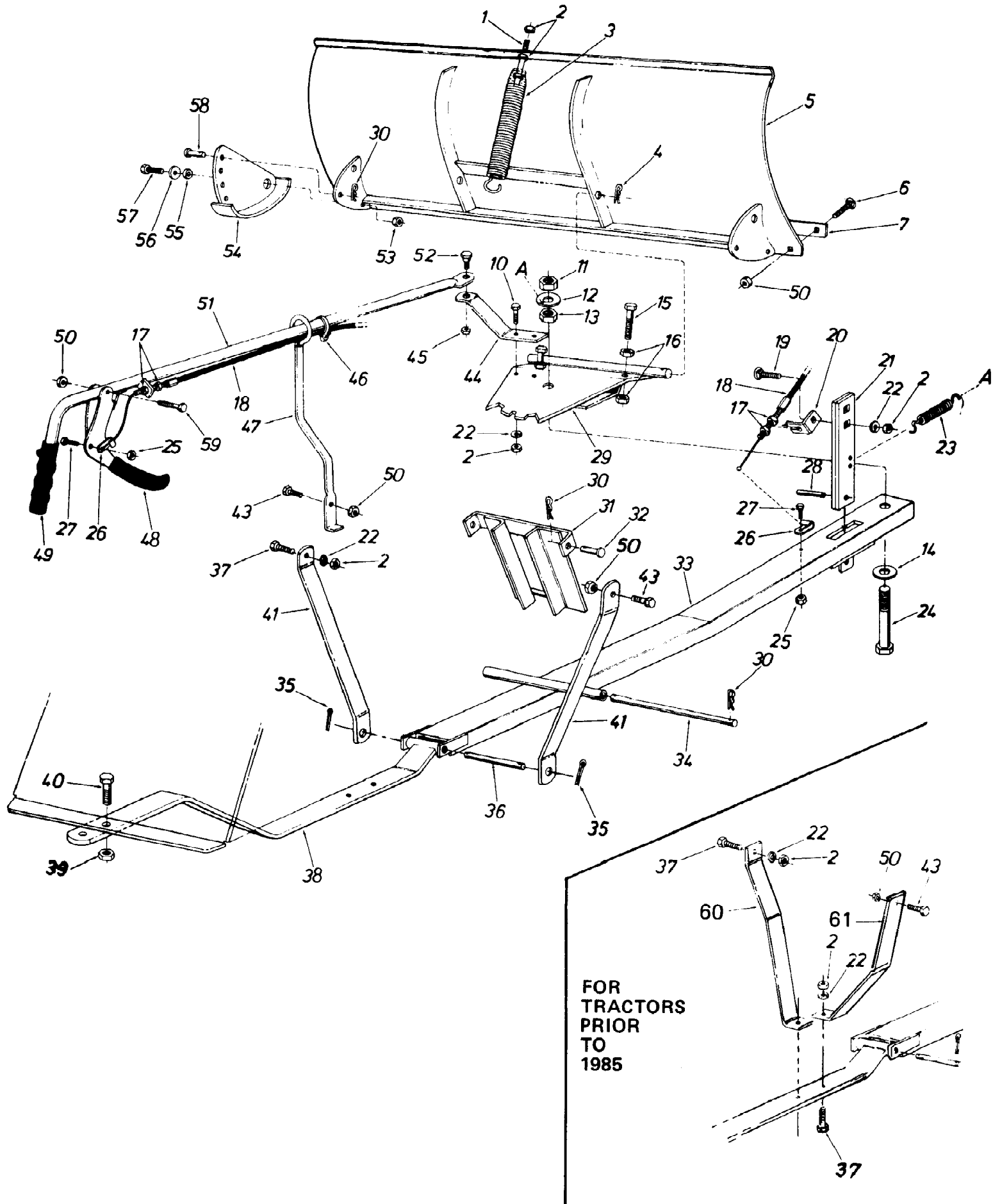


190-940-190 48" Snow Blade (1988)
48" Snow Blade

Page 1 of 3



190-940-190 48" Snow Blade (1988)
48" Snow Blade

Page 2 of 3

Ref #	Part Number	Qty	S/P/F	Description
1	710-0693	1	/P	Hex Scr. 3/8-16 x 4.50" Lg.*
2	712-0798	1	/P	Hex Nut 3/8-16 Thd.'
3	732-0359	1	/P	Blade Adjustment Spring
4	714-0117	1	/P	Hair Pin Cotter 5/32" Dia.
5	05741	1		48" Blade Ass'y.
6	710-0451	1	/P	Carriage Bolt 5/16-18 x.75" Lg.*
7	05754	1		Wear Plate 48"
10	710-0253	1	S	Hex Scr. 3/8-16 x 1.00" Lg.*
11	712-0205	1	/P	Hex L.-Nut 3/4-10 Thd.
12	736-0306	1	/P	Fl.-Wash..810" I.D. x 2.00" O.D. (Special)
13	712-0301	1	/P	Hex Jam Nut 3/4-10 Thd.*
14	736-0305	1	S	Fl.-Wash..810" I.D. x 2.00" O.D.
15	710-0489	1		Hex Scr. 1/2-13 x 2.00" Lg.*
16	712-0206	1	S	Hex Nut 1/2-13 Thd.*
17	712-0256	1	/P	Hex Jam Nut 5/16-24 Thd.*
18	746-0366	1	S	Control Cable Ass'y.
19	710-0305	1	S	Carriage Bolt 3/8-16 0 x 1.25" Lg.*
20	05762	1		Cable Guide Bracket
21	05665	1	S	Angle-Lock Bar
22	736-0169	1	S	L.-Wash. 3/8" Scr.*
23	732-0360	1	S	Angle Lock Spring
24	710-0764	1		Hex Scr. 3/4-10 x 4.00" Lg. (Special)
25	712-0107	1	S	Hex L.-Nut 1 /4-20 Thd.
26	746-0260	1		Clevis Lanyard F itting
27	710-0252	1	/P	Hex Scr. 1/4-20 x .75" Lg. *
28	715-0114	1	S	Spring Pin Spirol 1/4" Dia. x 1.00" Lg.
29	05764	1		Pivot Plate Ass y.
30	714-0101	1	S	Hair Pin Cotter 3/32" Dia.
31	05751	1		Guide Bracket Ass'y.
32	711-0310	1	S	ClevisPin 1/2" Dia. x 1.00" Lg.
33	05744	1		Push Bar Ass'y.
34	738-0454	1		Lift Shaft
35	714-0121	1	S	Cotter Pin 5/32" Dia. x 1.00" Lg.*
36	738-0638	1	/P	Pivot Pin
37	710-0342	1	S	Hex Scr. 3/8-16 x 1.25" Lg.
38	05749	1	S	Hanger Bracket Ass'y.
39	712-0261	1	S	Hex L. Nut 5/8-11 Thd.
40	710-0367	1		Hex Scr. 5/8-11 x 1.50" Lg.*
41	16367	1		Hanger Link
43	710-0376	1	/P	Hex 5/16-18 x 1.00" Lg. *
44	05757	1		Blade Pivot Bracket
45	712-0266	1	S	Hex Jam Nut 3/8- 16 Thd.
46	726-0178	1	S	Nylon CableTie
47	05761	1		Tube Guide Ass'y.
48	05639	1		Clutch Grip Ass'y.
49	07071	1	/P	Grip-3/4" Handle
50	712-0158	1	S	Hex L-Nut 5/16-18 Thd.
51	05758	1		Tube Handle Ass'y.
52	738-0234	1		Shld. Scr.-Special 3/8-16 Thd.
53	712-0375	1	/P	Hex L.-Nut 3/8-16 Thd.
54	05655	1	/P	Skid Assembly
55	750-0437	1	/P	Spacer
56	736-0258	1		Fl.-Wash..810" I.D. x 1.00" O.D.

190-940-190 48" Snow Blade (1988)
48" Snow Blade

Page 3 of 3

Ref #	Part Number	Qty	S/P/F	Description
57	710-0216	1	/P	Hex Scr. 3/8-16 x .75" Lg.*
58	711-0686	1	/P	ClevisPin5/16" Dia. x.75" Lg.
59	710-0442	1	S	Hex Scr. 5/16-18 x 1.50" Lg.
60	05755	1		Mounting Brkt.-L.H.
61	05756	1		Mounting Brkt.-R.H.